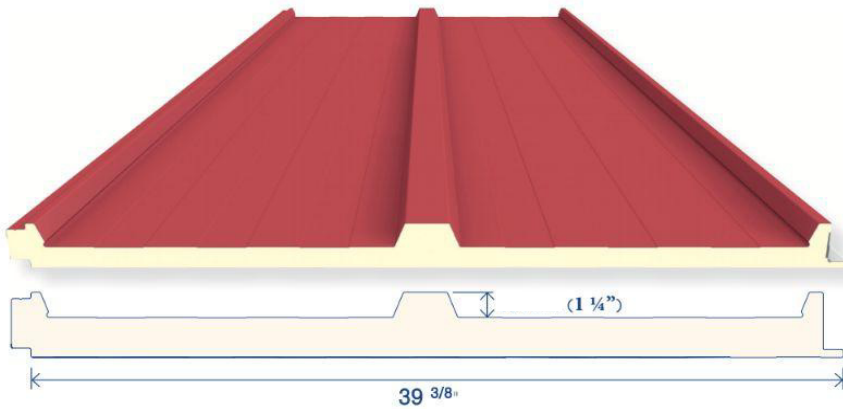




# ALLIED INSULATED PANELS

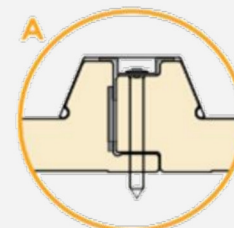
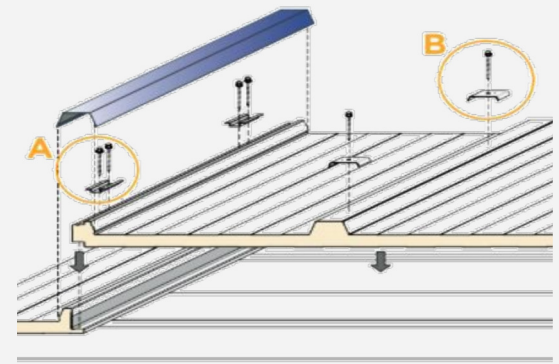
PRODUCT DATA SHEET

# ROOF PANELS



## TECHNICAL SPECIFICATIONS

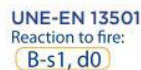
<b>Panel Thickness</b>	1.5"	2"	2.5"	3"	4"	5"
<b>U - Value</b>	.087	.070	.058	.043	.034	.028
<b>R - Value</b>	11	14	17	23	29	35
<b>Useable width</b>	39 3/8 inches					
<b>Length</b>	Up to 39 ft.					
<b>Metal facings</b>	GAUGE 26 / 24 / 22 G-90 galvanized or AZ50 aluminum-zinc					
<b>Coatings</b>	Polyester, PVDF (other coatings available)					
<b>Outer surface</b>	Three ribs					
<b>Inner surface</b>	Standard / Flat					
<b>Type of core</b>	Polyisocyanurate (PIR) 2.3 PCF Density					
<b>TEST</b>	<b>TEST METHOD</b>					
<b>Fire</b>	ASTM E 84					
<b>Permeability</b>	ASTM E 2140					
<b>Strength</b>	ASTM E 8					
<b>Wind Uplift</b>	ASTM E 1592 FM4471					



SEAM PLATE



BEARING PLATE



412-722-0550



[metalbuildinginsulationplus.com](http://metalbuildinginsulationplus.com)